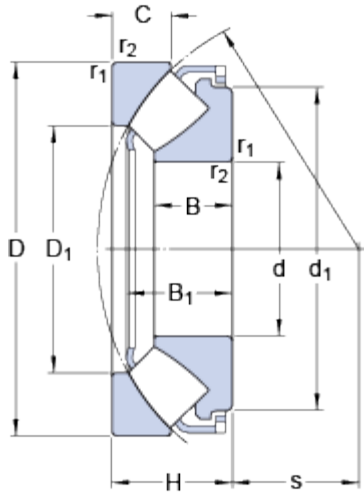


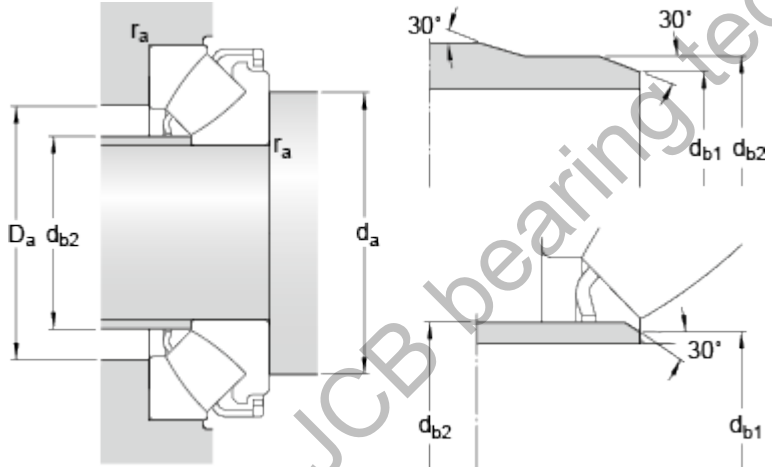
29322 E

Dimensions



d	110	mm
D	190	mm
H	48	mm
d ₁	≈ 171	mm
D ₁	≈ 140	mm
B	30.3	mm
B ₁	41.7	mm
C	24.8	mm
s	63.8	mm
r _{1,2}	min. 2	mm

Abutment dimensions



d _a	min. 145	mm
d _{b1}	max. 117	mm
d _{b2}	max. 117	mm
D _a	max. 164	mm
r _a	max. 2	mm

Calculation data

Basic dynamic load rating	C	610	kN
Basic static load rating	C ₀	1730	kN
Fatigue load limit	P _u	204	kN
Reference speed		1900	r/min
Limiting speed		3200	r/min
Minimum axial load factor	A	0.28	

Mass

Mass bearing		5.3	kg
--------------	--	-----	----